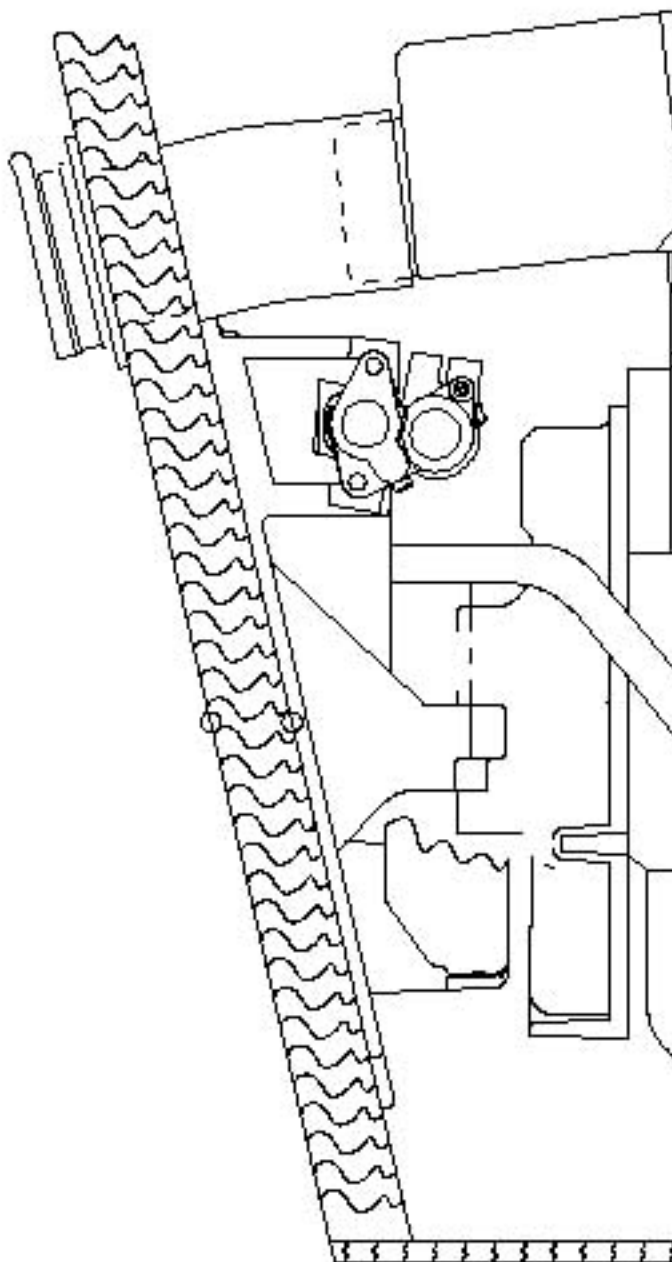


**WHEN WE SAY EASY TO INSTALL  
THAT WHAT WE MEAN!**



**ACCESS  
PANEL**



**SMART TECHNOLOGIES  
CHECK VALVE**



**STEP 1: MOUNT UNIT  
STEP 2: INSTALL EZ TEE  
INTO MANIFOLD FILL LINES (R+L)  
STEP 3: REMOVE ENGINE BLOCK  
DRAIN PLUGS AND INSTALL EZ FITTING  
INTO BLOCK DRAINS.  
STEP 4: LOCATE + INSTALL EZ ACCESS PANEL.  
STEP 5: CONNECT THE HOSES + CLAMP!!**